

VEGABAR 38

Two-wire 4 ... 20 mA

Pressure sensor with ceramic measuring cell



Application area

The pressure transmitter and switch VEGABAR 38 detects the measured values of liquids and gases with high precision, especially when high demands are placed on robustness and hygiene.

Your benefit

- Simple stock keeping due to configurable signal output
- Easy setup due to large on-site display with VDMA operation and additional texts
- Comfortable wireless setup and diagnosis via Bluetooth with smartphone

Function

The heart of the pressure transmitter is the pressure measuring cell transforming the pressure into an electrical signal. This pressure-dependent signal is converted by the integrated electronics into a standardized output signal.

Sensor element with VEGABAR 38 is the ceramic CERTEC® measuring cell with excellent long-term stability and high overload resistance.

Technical data

Measuring ranges	-1 ... +60 bar/-100 ... +6000 kPa (-14.5 ... +870 psig)
Smallest measuring range	+0.1 bar/+10 kPa (+1.45 psig)
Deviation	< 0.3 %
Output signal	4 ... 20 mA
Process fitting	Thread from G½, ½ NPT, hygienic fittings
Process temperature	-40 ... +130 °C (-40 ... +266 °F)
Ambient, storage and transport temperature	-40 ... +70 °C (-40 ... +140 °F)
Operating voltage	12 ... 35 V DC

Materials

The wetted parts of the instrument are made of 316L, PVDF, Duplex steel or sapphire-ceramic®. The process seal is available in FKM, EPDM as well as FFKM.

You will find a complete overview of the available materials and seals in the "Configurator" at www.vega.com and "Products".

Housing versions

The housing is made of stainless steel 316L or plastic PBT and is available in protection classes up to IP66/IP67.

Electronics versions

In addition to the two-wire electronics 4 ... 20 mA, three-wire electronics with I/O link as well as 4 ... 20 mA and transistor outputs are also possible.

Depending on the electronics, connection is made via plug acc. to ISO 4400 or M12 x 1.

Approvals

The instruments are suitable for use in hazardous areas and are approved e.g. according to ATEX and IEC. The instruments also have various ship approvals such as e.g. GL, LRS or ABS.

You can find detailed information on the existing approvals with the appropriate product on our homepage.

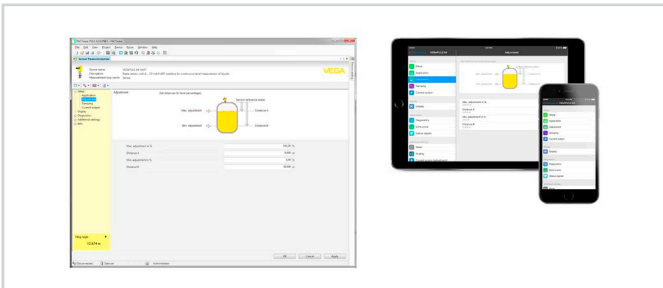
Adjustment

The Bluetooth version of the instrument enables a wireless connection to standard adjustment tools. This can be smartphones/tablets with iOS or Android operating system or PCs with PACTware and Bluetooth USB adapter.



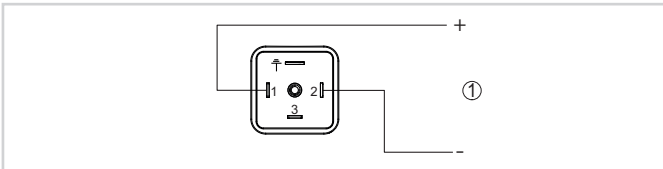
Wireless connection to standard operating devices

Adjustment is hence carried out via a free-of-charge app from the Apple App Store, the Google Play Store resp. the Baidu Store or via the adjustment software PACTware and respective DTM.



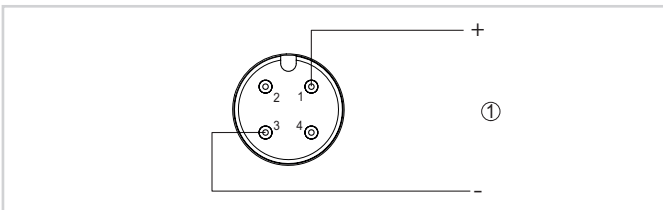
Adjustment via PACTware or app

Electrical connection



Wiring plan - two-wire 4 ... 20 mA - plug according to ISO 4400

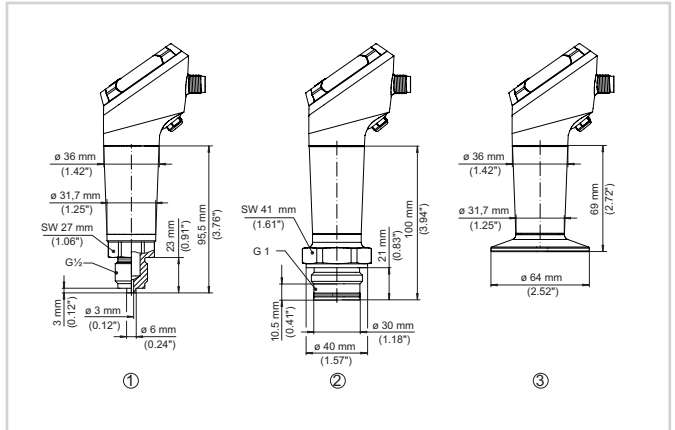
1 Voltage supply and signal output



Wiring plan - two-wire 4 ... 20 mA - M12 x 1 plug

1 Voltage supply and signal output

Dimensions



Dimensions VEGABAR 38

- 1 Thread $G\frac{1}{2}$ (EN 837), manometer connection
- 2 Thread G 1 (ISO 228-1)
- 3 Clamp 2" PN 40, \varnothing 64 mm (DIN 32676, ISO 2852)

Information

You can find further information on the VEGA product line on our homepage.

In the download section on our homepage you'll find free operating instructions, product information, brochures, approval documents, instrument drawings and much, much more.

Instrument selection

On our homepage under "Products" you can select the suitable measuring principle and instrument for your application.

You can find detailed information on the instrument versions at www.vega.com and "Products".

Contact

You can find your personal contact person at VEGA on our homepage www.vega.com and "Contact".