

## VEGAPOINT 21

Transistor (PNP/NPN)

Capacitive level switch



### Application area

The VEGAPOINT 21 is a capacitive level sensor for level detection of water-based liquids.

Typical applications are overflow and dry run protection. The small sensor can also be used in thin pipelines.

### Your benefit

- Simple setup via Bluetooth adjustment
- High plant availability, because wear and maintenance free
- Exact switching function independent of process condition

### Function

An alternating electric field is generated at the tip of the measuring electrode. If the sensor is covered with medium, the capacitance of the sensor changes. This change is detected by the electronics and converted into a switching command.

Any buildup is ignored to a certain degree and therefore has no influence on the measurement.

### Technical data

Output signal	Transistor (PNP/NPN)
Process fitting	Thread G $\frac{1}{2}$ , G $\frac{3}{4}$ , G1, M24 x 1.5 Thread $\frac{1}{2}$ NPT, $\frac{3}{4}$ NPT, 1 NPT Clamp 1", 1 $\frac{1}{2}$ ", 2" Further hygienic fittings
Process pressure	-1 ... 25 bar (-100 ... 2500 kPa/- 14.5 ... 363 psig)
Process temperature	-40 ... +115 °C (-40 ... +239 °F)
Ambient temperature	-40 ... +70 °C (-40 ... +158 °F)
Operating voltage	12 ... 35 V DC

### Materials

The wetted parts of the instrument are made of PEEK and stainless steel 316L. The process seal is made of FKM.

You will find a complete overview of the available materials and seals in the "Configurator" at [www.vega.com](http://www.vega.com) and "Products".

### Housing versions

The housing is made of stainless steel 316L or Valox and is available in protection classes IP66/IP67 and up to IP69.

### Electronics versions

The instruments are available in two different electronics versions. Apart from the electronics with transistor output (PNP/NPN), a transistor version with IO-Link output is also available.

### Approvals

Hygienic approvals for use in the food and pharmaceutical industries are planned for the device.

The technical data in the respective safety instructions are valid for approved instruments (e.g. with Ex approval). In some cases, these data can differ from the data listed herein.

All approval documents can be downloaded from our homepage.

### Adjustment

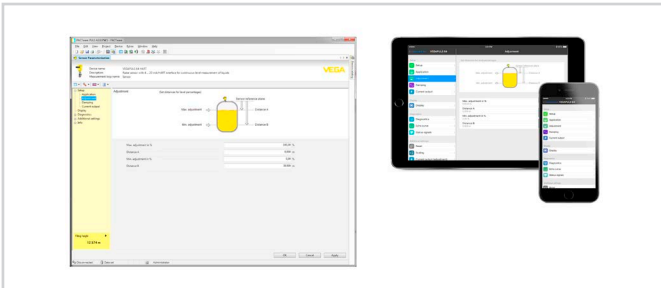
#### Wireless adjustment via Bluetooth

The Bluetooth version of the device enables wireless connection to smartphones/tablets (iOS/Android) or Windows PCs.



Wireless connection to standard adjustment devices with integrated Bluetooth LE or alternatively Bluetooth USB adapter.

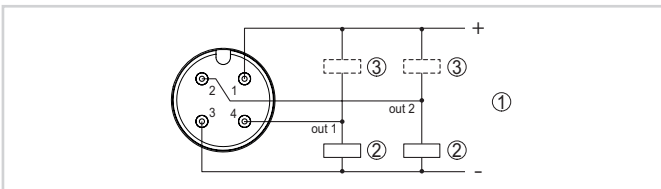
Operation is via a free app from the "Apple App Store", the "Google Play Store" or the "Baidu Store". Alternatively, adjustment can also be carried out via PACTware/DTM and a Windows PC.



Adjustment via PACTware or app

### Electrical connection

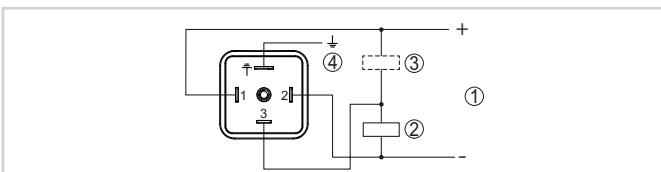
#### Plug M12 x 1



Wiring plan M12 x 1 plug - Transistor output, three-wire

- 1 Voltage supply
- 2 PNP switching
- 3 NPN switching

#### Valve plug ISO 4400

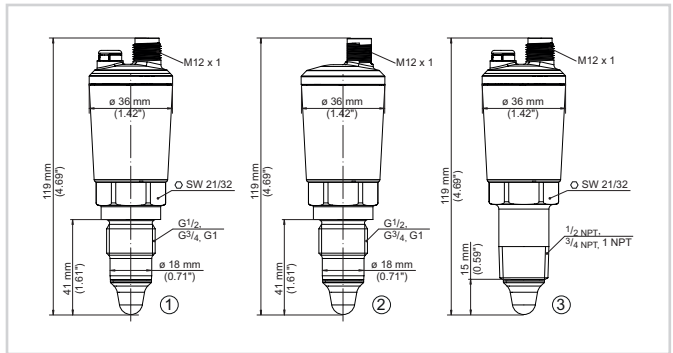


Wiring plan ISO 4400 plug - Transistor output, three-wire

- 1 Voltage supply
- 2 PNP switching
- 3 NPN switching
- 4 PA - Potential equalisation

Details on the electrical connection can be found in the operating instructions of the device in the download area on our homepage.

### Dimensions



VEGAPOINT 21, standard version - thread with M12 x 1 plug

- 1 Thread  $G\frac{1}{2}$ ,  $G\frac{3}{4}$ ,  $G1$  (DIN ISO 228/1) with M12 x 1 plug connection (Housing: 316L and plastic)
- 2 Thread  $G\frac{1}{2}$ ,  $G\frac{3}{4}$ ,  $G1$  (DIN ISO 228/1) with M12 x 1 plug connection (Housing: 316L)
- 3 Thread  $\frac{1}{2}$  NPT,  $\frac{3}{4}$  NPT, 1 NPT with M12 x 1 plug connection (Housing: 316L and plastic)

### Information

You can find further information on the VEGA product line on our homepage.

In the download section on our homepage you'll find free operating instructions, product information, brochures, approval documents, instrument drawings and much, much more.

### Instrument selection

On our homepage under "Products" you can select the suitable measuring principle and instrument for your application.

You can find detailed information on the instrument versions at [www.vega.com](http://www.vega.com) and "Products".

### Contact

You can find your personal contact person at VEGA on our homepage [www.vega.com](http://www.vega.com) and "Contact".